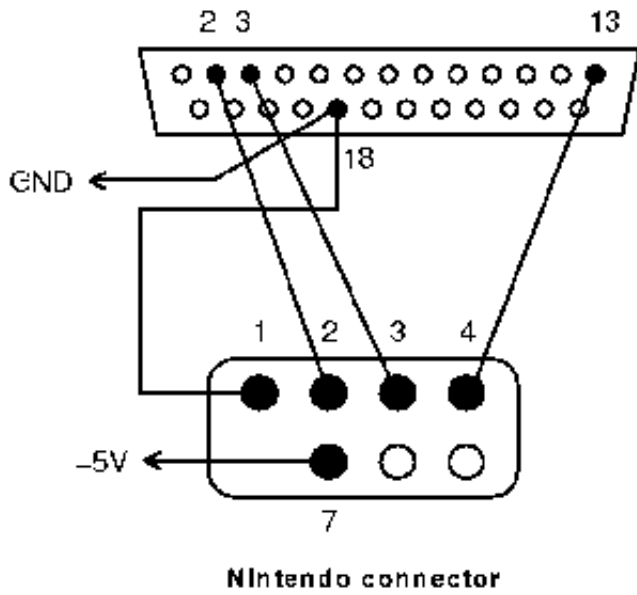


Male 25-way "D" connector (to Parallel Port)



**Simple PowerGlove
Interface
for IBM PC**

Here are the schmetics for wiring the Power glove to the PC. Use +5 volt supply off of the keyboard port.

Sun Parallel Port			
Pin #	Signal	Pin #	Signal
1	Strobe	14	AFXT
2	Data 0	15	ERROR
3	Data 1	16	RESET
4	Data 2	17	SLCTIN
5	Data 3	18	Gnd
6	Data 4	19	Gnd
7	Data 5	20	Gnd
8	Data 6	21	Gnd
9	Data 7	22	Gnd
10	ACK	23	Gnd
11	BUSY	24	Gnd
12	PE	25	Gnd
13	SLCTOUT		

Nintendo Gun Wiring Pinouts			
Nintendo Gun	DB 25 Port	Wire Color	Signal
Pin # 1	Pin # 18	Brown	Ground
Pin # 2	Pin # 2	Green	Unused
Pin # 3	Pin # 3	Blue	Unused
Pin # 4	Pin # 13	White	Unused
Pin # 5	Pin # 12	Orange	Trigger
Pin # 6	Pin # 1	Red	Strobe
Pin # 7	Pin # 7 of PGSI port	Black / Green	+5V DC

Here are the pinouts on a parallel port and the Nintendo light Gun port.

